

HEINRICH RUDOLF ROSENWINKEL
d 10/11/1817
6/10/11/1873

MARGARET SCHRODER
d 6/23/1788
6/31/1762

DIETRICH

ELIZABETH STRUSS

d 1/4/1870 HAN.

d 3/9/1856
6/10/20/1887

m 2/4/1814 HANOVER

d 5/30/1884 ZION
6/11/24/1823 HAN.

d 11/25/1901 ZION

6/8/23/1827 HANOVER

FRIEDRICH

MARIE

DOROTHEA

SOPHIA MAGD. LOUISE KRUSE

d 8/29/1894 ZION

6/14/1838 HANOVER

JOHANN HENRY JOBSTF. DEDRICH

TO US 1873

m 9/20/1876

TO D.P. 1849
(FARMER)

FRED
SEE CHART #4

EDWARD HENRY

SEE CHART #2

LOUISA

LENA CAROLINE
SEE CHART #9

ALVINA
SEE CHART #7

ANNA SOPHIA CATHERINE
SEE CHART #7

HENRY

LOUIS F.

MARTHA

LUELLA WIENS

ANNA BUCHHOLZ

WM. FIENE
SEE CHART #4

FRED FIENE
SEE CHART #4

LOUIS FIENE
SEE CHART #2

PAULINE THIEMANN
MILW. 36
5/6/1877

LOUISA STUENKEL
MILW. 36
7/6/1900

RAYMOND
MILW. 36
7/9/1897

6/8/10/1899

d 10/9/1960
6/11/11/1898

PAUL EDWARD FRITZ

EDWARD WM.

LOUIS PAULINE

d 1893
6/1893

d 1897
6/1894

WALTER FRIEDRICH & 1951

ADELE EMMA

SEE CHART #2

HEINRICH GRAVE

DORA STUENKEL

MILW. 36
6/11/1877

WILLIAM THIEMANN

MILW. 36
6/11/1877

JULIUS KUESTER

DOROTHY SEEGER

LOUIS H. HEINEMANN
(BUTCHER)

SEE CHART #2

11/19/1873

HORBERT

LAURA M.

JOHN FREDK. FINKE

SEE CHART #1

CHARLOTTE HOHLT

1830

MALINDA

ROLAND NORHL EDWARD HORBERT

m 1/10/1853 NEW ORLEANS

CHARLOTTE WILHELMINA
TO U.S. 1851

d 11/17/1937
6/13/1859 ADD. T.

d 5/12/1946 E.L.
6/9/17/1861 ADD.

d 7/10/1920 ST. PAUL
6/10/14/1869

d 12/23/1911 ST. PAUL
6/12/27/1875 ADD. TWP.

d 4/29/1943
6/3/17/1870

SEE CHART

W.M. SIMMERLING

ANNA

11/1893

HENRY SPRADEL

SOPHIA BODE

d 7/25/1890
6/10/1831 HAN

d 2/17/1914
6/7/1838

EMMA SOPHIE

d 6/12/1963 ST. PAUL
6/7/13/1881

FRIED. WILLIAM

WILHELMINA

EDWARD HENRY

ERNST HY. WILLIAM

W.M. SIMMERLING

ANNA

11/1893

HENRY SPRADEL

SOPHIA BODE

d 2/17/1914
6/7/1838

EMMA SOPHIE

d 6/12/1963 ST. PAUL
6/7/13/1881

OTTO F.C. AHRENS

SEE CHART #2

1830

EMMA

LENA

d 9/6/1982 E.L.
6/28/1894

d 12/12/1993 EL.
6/8/22/1912

THEODORE

OSCAR

EDWIN

ALMA

EDNAE.

LYDIA

SEE CHART #2

ELMER F. BLECKE

d 3/1/1982 ST. PAUL
6/14/1905

RAYMOND A. MUELLER

d 9/19/1992
6/19/1909

T.H. KROSS
1-12-89
2-21-89
5-24-91
11-16-92
3-17-95
7-13-96
2-7-98
7-12-99
11-27-01
5-26-04
3-29-05
6-4-07

RICHARD EDGAR

ELLA

GEORGE BERLIN

ARTHUR GRACE

RAYMOND A. MUELLER

JANET

ARLENE JUDITH

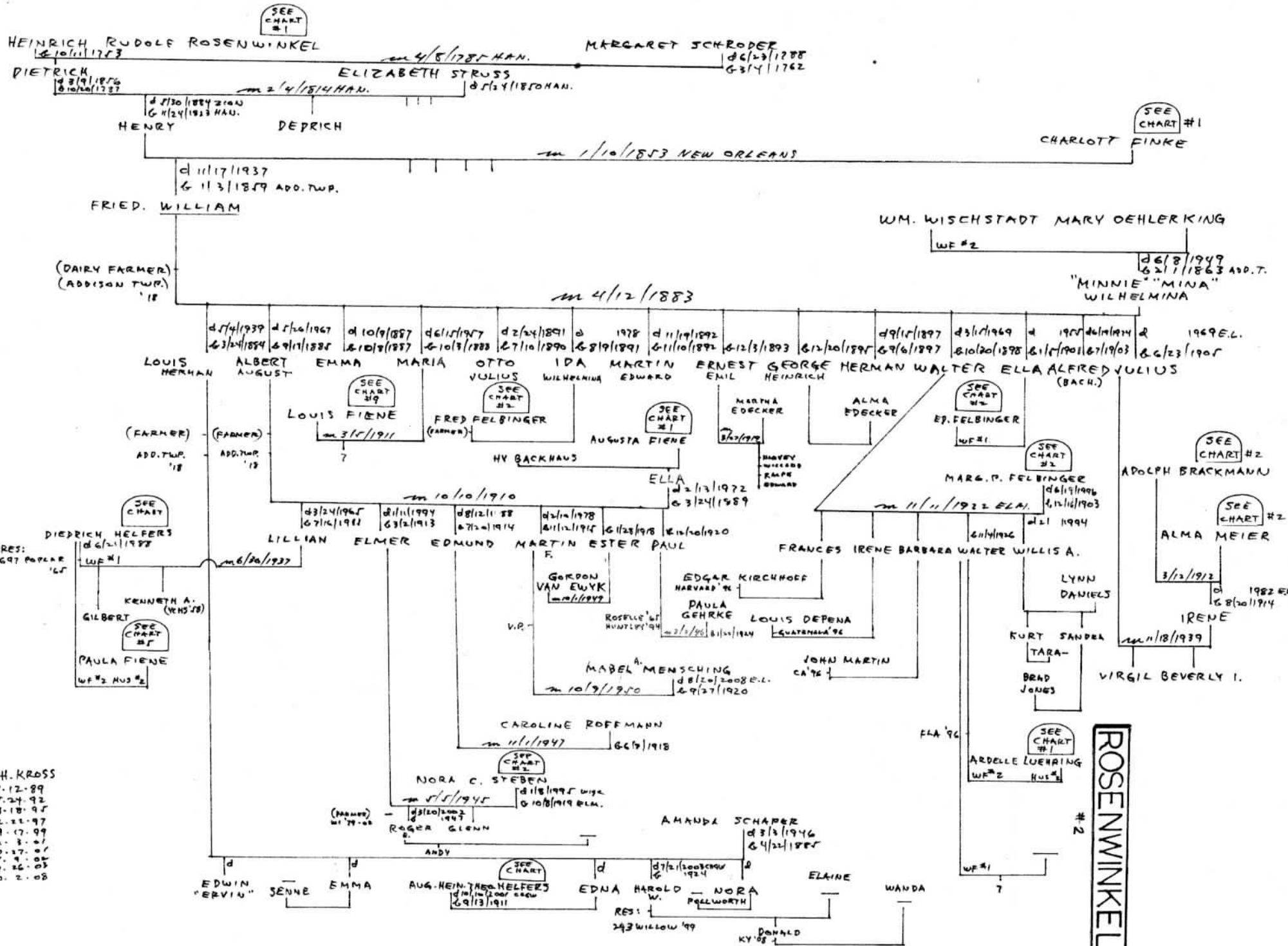
GEORGE E. CINDY

DANIEL W.

CLIF. NESTERMAN

MARTEN HAUSERMANN

ROSENWINKEL



T.H. KROSS
 1-12-89
 7-24-92
 3-18-95
 2-22-97
 9-17-99
 2-3-01
 10-27-01
 7-9-02
 7-26-03
 10-2-08

ROSENWINKEL #2

AUGUST ROSENWINKEL
(FARMER)
PALATINE

WILAMENA TIMKE

m 10/11/1891 SCI

ANNA d 11/6/1978
b 7/23/1893

HENRYC. d 4/24/1979 ST. PAUL
b 7/8/1897 PALATINE

WILLIAM HENRY

WILAMENA d 10/14/1976 E.L.
b 6/22/1900

AUGUST H.

ALVINA

EMILY

SEE CHART #5

CHAUPPEUR
RES:
202 ADDISON '27
210 ILLINOIS '43

70 ELM. 1925
(JOSLYN MFG)
RES:
264 ADDISON '26
'31
281 E. THIRD '38
'42

- SCHROEDER
PALATINE '76

- MOENLING
PALATINE '76

SEE CHART

AUGUST MATTHEWS
d 10/3/1933
b 10/23/1870

SEE CHART #6

EMMA RIENE
d 12/8/1928 ST. PAUL
b 10/8/1879

WALTER d 1/13/1988
b 7/21/1908

THEODORE d 3/26/1989
b 4/10/1907

ELLEN d 9/27/1996 E.L.
b 11/1/1902 ADD.

AUGUST d 7/4/1998 ST. PAUL
b 4/1/1902 ADD.

HELENE
DOROTHY W.

m 10/12/1928

MARVIN AUG. d 5/3/1926
(YCHS) ADDISON '76

WILMER HY. d 11/12/2008 CHGW
(YCHS) '76

ELROY WALT. d 8/16/1936
(YCHS) '76

DOLORES ANN d 10/3/1990
(YCHS) '76

ELAINE H. d 12/3/1991
(CLK: MASS APA) (SPIN)
b 1931 ELM.

MURIEL
JEAN PRICE
CALIF '76
WARI 1926
10/11/25

JUNE
W P #2

SHIRLEY J. MARSH
d 3/7/1998 CHGW
b 6/1927

LORI
BONNIE
LARRY

ALICE MARLENE TRICK?
d 1/2/1964

RALPH O'CONNELL

JAY IRVIN

JAMES PROVENZA

JENNIFER JERARBY

MELISSA MATTHEW TIMOTHY

m 9/11/1922

RALPH JOHN HOLM d
MILDRED

d 12/3/1925 ELM.

SEE CHART #1

NORMA DOROTHY (YCHS) '43
210 ILLINOIS '42

THOMAS BARTLETT (JR)
(INT. HARVARD) d 10/9/2006
FLA. '94 b 5/24/1920 ELM.
b 8/1/1948

THOMAS III
b 12/1/1940

STEPHEN RANDALL
b 4/29/1944

WILLIAM J. MCHURRAUGH
b 11/26/1949

NADY CATHARINE
b 10/10/1968 ELM.

d 5/7/1979
b 6/8/1927

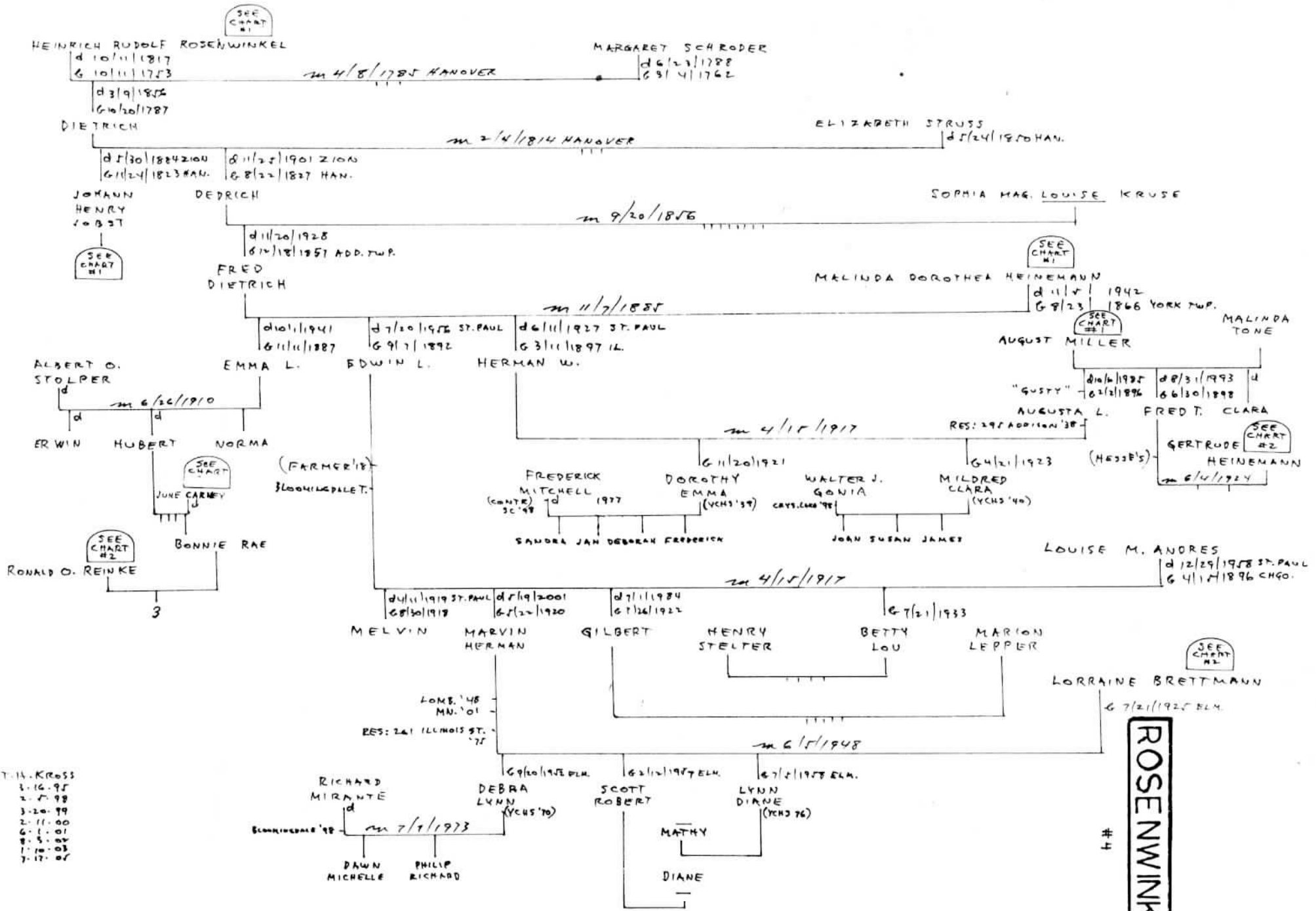
VERNETTE ELLEN SHIRLEY
ELLEN (YCHS) '79

PATRICK SHIFFLETT
FL '92 #2

W

ROSENWINKEL

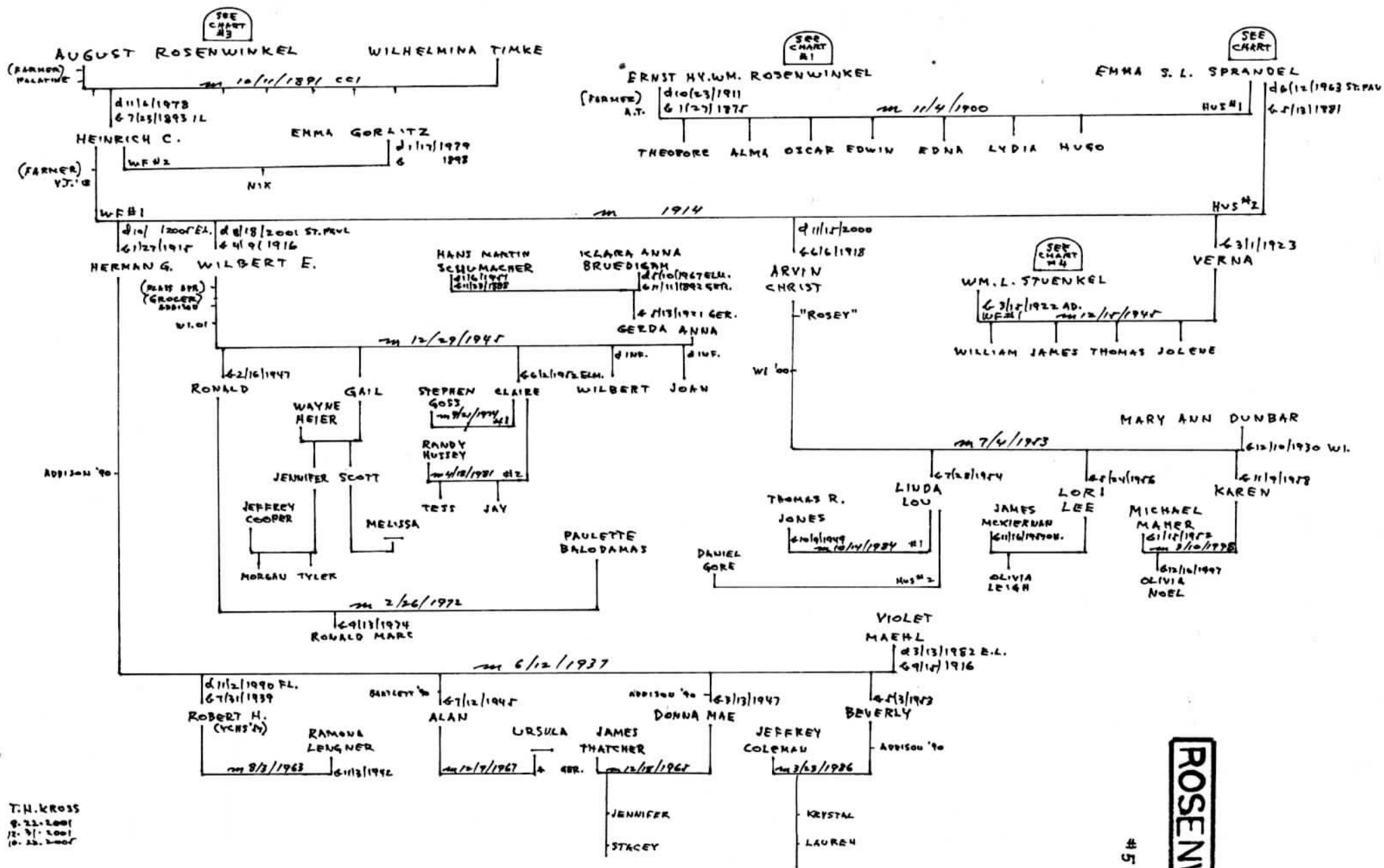
- T. H. KROSS
- 3-22-01
- 5-24-92
- 3-18-95
- 11-8-96
- 2-22-98
- 9-24-98
- 12-24-98
- 5-19-01
- 8-22-01
- 8-6-01
- 11-2-06
- 11-30-08



T. H. KROSS
 1-16-95
 2-7-98
 3-20-99
 2-11-00
 6-1-01
 8-5-02
 1-10-03
 7-17-07

ROSENWINKEL

#4



T.H. KROSS
 8. 23. 2001
 12. 31. 2001
 10. 23. 2001

ROSENWINKEL